



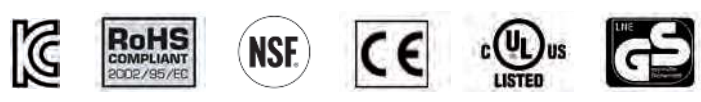
www.santos.fr

# PROFESSIONAL JUICE EXTRACTOR #28

For all fruits and vegetables.  
Continuous juice production by centrifugal action and automatic pulp ejection.



Internationally patented models

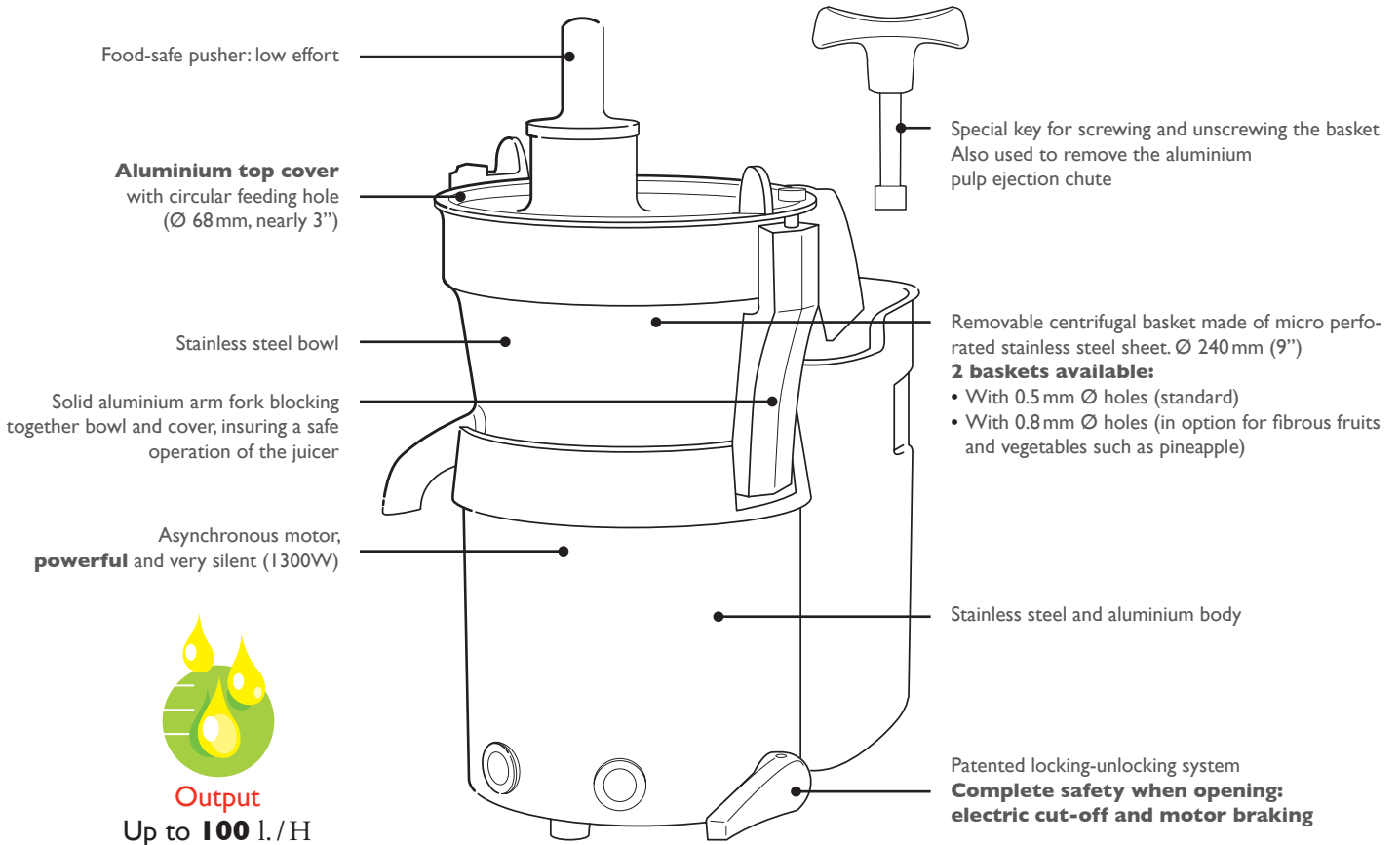




**PROFESSIONAL**

**FOR A HIGH QUALITY JUICE**

You can make any kind of fruit and vegetable juices and keep all the vitamins with the juice extractor #28.  
**Easy to use, silent and powerful**, it is the ideal appliance for juice bars, restaurants, institutions, health food stores...



**Output**  
 Up to **100 l./H**

**SANTOS, WORLDWIDE LEADER IN COMMERCIAL JUICERS**



**WE HAVE THE JUICE EXTRACTOR THAT YOU NEED...**

Santos has a 25 years experience in creating juice extractors and developing exclusive patented systems to provide an incomparable reliability and efficiency.

**Rigour and quality**  
 All Santos juice extractors are in accordance with the most stringent international regulations: GS, UL, NSF.



**The professional art of juicing since 1954**

# JUICE EXTRACTOR #28



## QUALITY, EXPERTISE, PERFORMANCE

### High quality juice

- **Perfect filtration:** very fine sieve offering a high quality juice.
- **Maximum juice extraction:** excellent yield, dry pulp.
- **Preservation of vitamins:** it extracts juice from fruits and vegetables without crushing or heating them.
- **Creativity:** possibility to make any kind of juice, ex: ginger, beetroot, cucumber, pineapple, melon, grapes...

### Expertise

- **Security** with mechanical braking.
- **Professional motor**, powerful and extremely silent (Santos know-how).
- **High output juice** extractor, adapted to intensive use (ex: juice bars).
- **Sturdy appliance** mostly made of aluminium and stainless steel.

### Performance

- **Continuous juice production:** automatic pulp ejection.
- **Large basket:** more juice, less cleaning.
- **Professional motor:** powerful and robust.
- **High output:** 100l/h.



### TECHNICAL SPECIFICATIONS



#### Motor

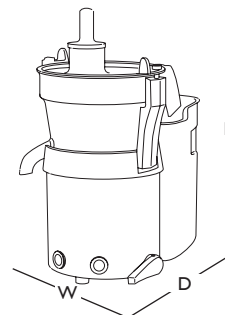
Single phase: 100-120V – 50/60 Hz – 1 300 W – UL, NSF, CE  
220-240V – 50/60 Hz – 1 300 W – CE, GS

Speed: 3 000 rpm (50 Hz)  
3 600 rpm (60 Hz)



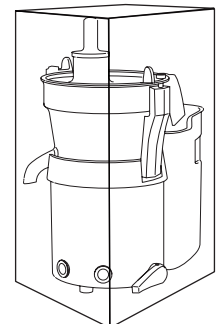
#### Weight

Net: 24Kg (53 lbs)  
Shipping: 26 Kg (57 lbs)



#### APPLIANCE

W: 320 mm / 12.6"  
D: 480 mm / 19"  
H: 570 mm / 22.5"



#### SHIPPING BOX

W: 370 mm / 14.5"  
D: 660 mm / 26"  
H: 590 mm / 23.2"

### SAFETY, STANDARDS, HYGIENE

#### In accordance with the following regulations

- Machinery directive 2006/42/EC
- Electromagnetic compatibility 2004/108/EC
- "Low voltage" directive 2006/95/EC
- RoHS directive 2002/95/EC
- Regulation 1935/2004/EC (contact with food)

#### Harmonized European standards

- EN 12100-1 and 2: 2004
- EN 60204-1: 2006
- EN 12547+A1: 2009 Juice extractors
- EN 60335-2-64: 2004 Commercial electric kitchen machines
- CE (European standards), UL (USA) and cUL (Canada), NSF (USA)
- GS (Germany) checked by the LNE (National Test Laboratory)

#### Mechanical safety

A friction brake immediately stops the basket when opening the handle.

#### Electrical safety

- All mechanical parts are ground connected.
- Appliances are 100% tested after assembly.

#### Thermal safety

Motor protected by internal thermal detector and overload protector.

#### Acoustic safety

Silent asynchronous motor.

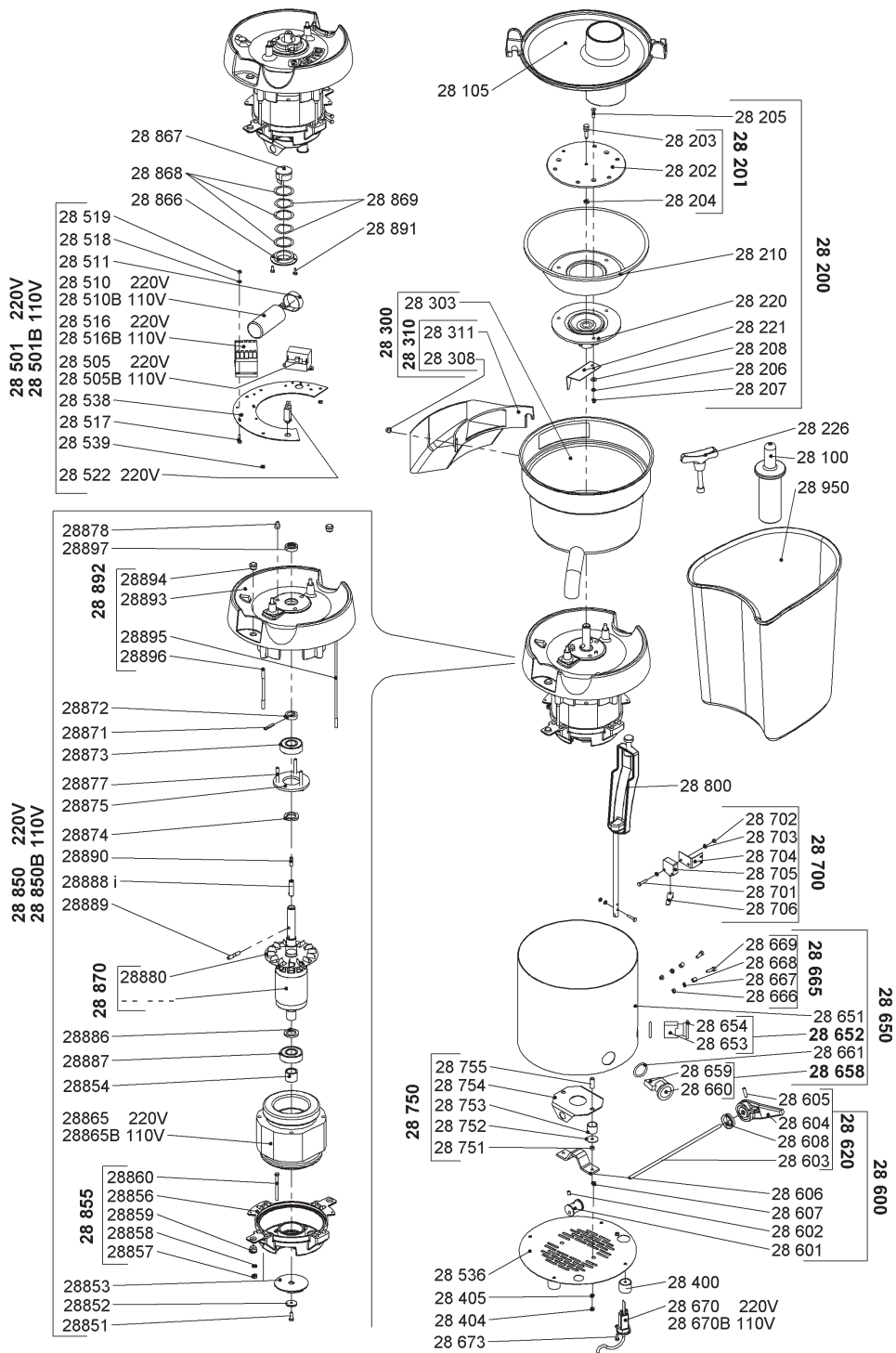
#### Hygiene

All removable parts (with the exception of the base) can be put in a dishwasher or easily cleaned with hot soapy water.

# PROFESSIONAL CENTRIFUGAL JUICE EXTRACTOR #28



www.santos.fr



## SANTOS

140-150 Avenue Roger Salengro BP 80 067 – 69511 Vaulx-en-velin Cedex (Lyon) – FRANCE  
 Tel. +33 4 72 37 35 29 – Fax. +33 4 78 26 58 21 – **Website:** www.santos.fr – **Email:** santos@santos.fr

Follow us on #SantosAddict social networks   