



# BIZERBA

■ ... closer to your business

## As versatile as your business ...

... Semi-Automatic Slicers VS 11 A / VS 12 A:

Compact – efficient – powerful



The semi-automatic slicers VS 11 A and VS 12 A combine a wide range of layout patterns with comprehensive, easy preselect and memory options. They require minimum space and are kept stable by the supporting rubber frame. The lowered carriage design for ease of handling ensures fast, non-tiring working conditions.

#### Ease of handling

- Modern and ergonomic design with perfect all-round protection
- Direct selection keys, automatic slice depositing and lowered carriage design for ergonomic and easy operation
- Smooth-running carriage thanks to carriage guide bearings located securely inside the motor housing
- Slip grooves in the carriage rear wall ensure smooth and easy gliding of the product
- Improved hygiene thanks to easily removable sharpener
- The ergonomically optimised remnant holder allows - feeding of the product to the blade with one hand while at the same time guiding the product along the rear wall of the carriage – slicing to the very last slice without discomfort in the hand that guides the carriage
- Setting of slice thickness, to fine setting option

#### Quality and long service life

- Quiet, maintenance-free blade drive
- Very decorative presentation - choose freely from very different layout options (stacking, shingling lengthwise, etc.)

- With the additional presentation options (double stack, shingling crosswise and radial layout), the VS 12 A offers a variety of layouts including a special option that also allows radial layout of rectangular slices
- Remnant holder to minimise product waste due to scraps or first slice
- Adjustable stop plate and product support in the lower section of blade
- Minimised risk for operator thanks to protected cutting area during sharpening

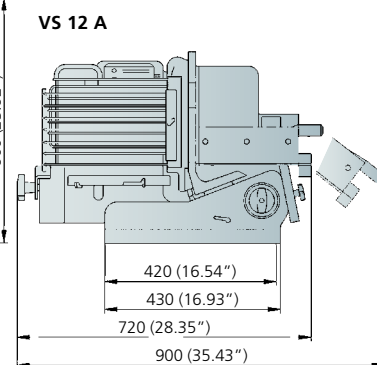
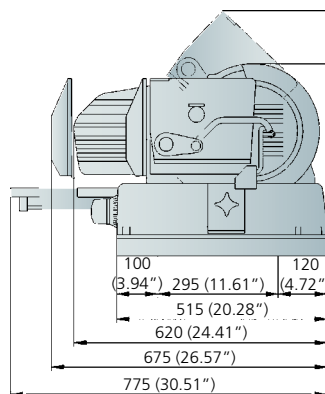
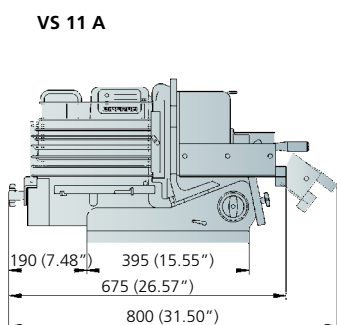
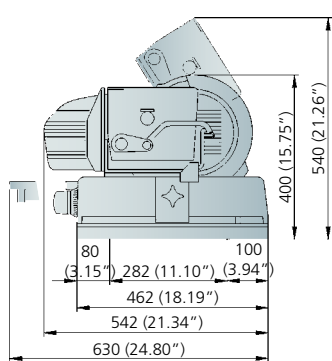
#### Cleaning and hygiene

- Slices laid out without manual handling
- Fast disassembly of all removable parts
- Remnant holder with magnet lock for quick assembly/disassembly
- Easy access to all parts
- Membrane keyboard protected against dripping water
- Swivel-mounted deflector with smooth edges to avoid dirt buildup
- Compact design with closed mounting frame
- Comfortable to clean thanks to optional Ceraclean finish

		VS 11 A	VS 12 A
■ <b>Protection type</b>		IP 33	IP 33
■ <b>Current type</b>			
1-phase AC	Voltage*	230 V	230 V
	Frequency	50 Hz	50 Hz
	Nominal current consumption	1.5 A	2 A
3-phase AC	Voltage*	400 V	230/400 V
	Frequency	50 Hz	50 Hz
	Nominal current consumption	0.5 A	1.4/0.88 A

\*Various voltages depending on country, further information on request

■ <b>Outer dimensions</b>	542 x 675 x 400 mm / 21.3 x 26.6 x 15.7"	620 x 720 x 470 mm / 24.4 x 28.3 x 18.5"
■ <b>Required space</b>	462 x 395 mm / 18.2 x 15.6"	515 x 430 mm / 20.3" x 16.9"
■ <b>Work area</b>	630 x 800 mm / 24.8 x 31.5"	775 x 900 mm / 30.5 x 35.4"
■ <b>Blade diameter</b>	280 mm / 11"	330 mm / 13"
■ <b>Blade speed</b>	260 U/min (260 rpm)	266 U/min (266 rpm)
■ <b>Max. product size</b>		
with depositing arm, min.	round Ø, 50 mm / 2"	round Ø, 50 mm / 2"
	rectangular, 50 x 50 mm / 2 x 2"	rectangular, 50 x 50 mm / 2 x 2"
with depositing arm, max.	round Ø, 145 mm / 5.7"	round Ø, 180 mm / 7.1"
	rectangular, 230 x 145 mm / 9.1 x 5.7"	rectangular, 240 x 175 mm / 9.4 x 6.9"
without depositing arm, max.	round Ø, 190 mm / 7.5"	round Ø, 225 mm / 8.9"
	rectangular, 230 x 145 mm / 9.1 x 5.7"	rectangular, 260 x 175 mm / 10.2 x 6.9"
■ <b>Setting of slice thickness</b>		
with depositing arm, continuous	0,5 - 8 mm / 0.02 - 0.32"	0,5 - 8 mm / 0.02 - 0.32"
without depositing arm, continuous	0 - 24 mm / 0 - 0.95"	0 - 24 mm / 0 - 0.95"
Fine setting	0 - 3 mm / 0 - 0.12"	0 - 3 mm / 0 - 0.12"
■ <b>Weight</b>	approx. 48 kg / 105.8 lbs	approx. 64 kg / 141.1 lbs
■ <b>Deposit table</b>	233 x 300 mm / 9.2 x 11.8"	254 x 346 mm / 10 x 13.6"
■ <b>Table displacement</b>	120 mm / 4.7"	160 mm / 6.3"
■ <b>Paper size</b>	250 x 375 mm / 9.8 x 14.8"	250 x 375 mm / 9.8 x 14.8"
■ <b>Film size</b>	240 x 360 mm / 9.4 x 14.2"	240 x 360 mm / 9.4 x 14.2"
■ <b>Round platter</b>	-	280 mm / 11"
■ <b>Packaging data</b>		
Total weight	approx. 60 kg / 132.3 lbs	approx. 74 kg / 163.1 lbs
■ <b>Optional extras</b>	Ceraclean blade, cheese blade	Ceraclean surface finish, Ceraclean blade, cheese blade, bread blade, round platter. Further information on request.



### Members of the Bizerba Group

Bizerba GmbH & Co. KG  
Wilhelm-Kraut-Straße 65  
72336 Balingen  
Germany  
Tel. +49 7433 12-0  
Fax +49 7433 12-2696  
marketing@bizerba.com  
www.bizerba.com

Bizerba UK Limited  
2-4 Erica Road  
Stacey Bushes  
Milton Keynes  
Buckinghamshire  
MK12 6HS  
U.K.  
Tel. +44 1908 682740  
Fax +44 1908 682777  
sales@bizerba.co.uk

Bizerba USA Inc.  
1804 Fashion Court  
Joppa, MD 21085  
USA  
Tel. Office +1 732 565-6000  
Tel. Service +1 732 565-6001  
Fax +1 732 819-0429  
us.info@bizerba.com  
www.bizerbausa.com

Bizerba Canada Inc.  
2810 Argentinia Road #9  
Mississauga,  
Ontario L5N 8L2  
Canada  
Tel. +1 905 816-0498  
Fax +1 905 816-0497  
ca.info@bizerba.com  
www.bizerba.ca

Bizerba (Shanghai) Weigh Tech  
& Systems Co.Ltd.  
D-3, Qianpu Road, Shuhui Real Est.Park  
East New Area of Songjiang, Ind.Zone  
201611 Shanghai  
China  
Tel. +86 (21) 67 60 09 99  
Fax +86 (21) 67 60 09 98  
marketing.china@bizerba.com  
www.bizerba.cn