



# Electrolux

## Warewashing Undercounter Dishwasher with Pressure Boiler - 3 phase

ITEM # \_\_\_\_\_

MODEL # \_\_\_\_\_

NAME # \_\_\_\_\_

SIS # \_\_\_\_\_

AIA # \_\_\_\_\_



Electrolux

Warewashing  
Undercounter Dishwasher with Pressure Boiler - 3 phase



Warewashing

Undercounter Dishwasher with Pressure Boiler - 3 phase

400144 (NUC3)

Undercounter Dishwasher with pressure boiler - 400 V/3N/50 Hz

### Short Form Specification

Item No. \_\_\_\_\_

Unit shall be Electrolux undercounter type hot water rinsing dishmachine with powered pressure boiler. Electrical characteristics to be \_\_400 volts, three phase operation with two wash cycles of 120/180 seconds for normally or heavily soiled items. Rinse temperature and pressure guaranteed by built in pressure boiler. Washing performance is guaranteed by a powerful wash pump, revolving washing spray arms. 304 Stainless steel construction to include door, frame, wash tank. The unit shall include rinse aid dispenser pump.

### Main Features

- Built-in pressure boiler sized to raise incoming 50 ° C water to guarantee a minimum rinsing temperature of 82 °C for sanitizing rinse. No external booster is required.
- Incorporated Soft Start feature to offer additional protection to more delicate items.
- Washing system endowed with rotating washing arms, high powered wash pump and large capacity boiler for professional washing.
- 4 second (variable) pause after washing and before rinsing ensures that no drops of unclean water will fall on the clean items at the end of the rinsing cycle.
- Fully automatic self-cleaning cycle avoids the risk of bacteria proliferation.
- 120/180 seconds cycle.
- Simple control panel with digital display allows on-site personalization of washing and rinsing cycle times and temperatures as well as precise rinse aid and detergent quantities to suit customer's needs.
- Easy to remove wash/rinse arms.
- Simple service from the front.
- IPX 4 water protection.
- Pre-arranged to accept external dispensers.
- Pre-arrangement for HACCP system implementation and Energy Management device.
- Three phase or single phase electrical connection, convertible on-site.

### Construction

- Unit to feature smooth surfaces to facilitate cleaning.
- Front and side panels, door and wash tank made in heavy duty anti-corrosive AISI 304 stainless steel.
- 304 stainless steel boiler with higher welding protection to increase resistance to corrosion.
- PVC water supply hose with metal connections resistant to high water pressure.
- Completely closed on the back by a cover plate.

### Included Accessories

- 1 of Yellow cutlery container PNC 864242
- 1 of Basket for 18 dinner plates - yellow PNC 867002

### Optional Accessories

- 12lt external manual water softener PNC 860412
- 8lt external automatic water softener PNC 860413
- Stand for undercounter dishwasher PNC 860418
- 20lt external manual water softener PNC 860430
- Integrated HACCP kit PNC 864001
- HACCP printer kit PNC 864002

APPROVAL: \_\_\_\_\_



**Electrolux**

## Warewashing Undercounter Dishwasher with Pressure Boiler - 3 phase

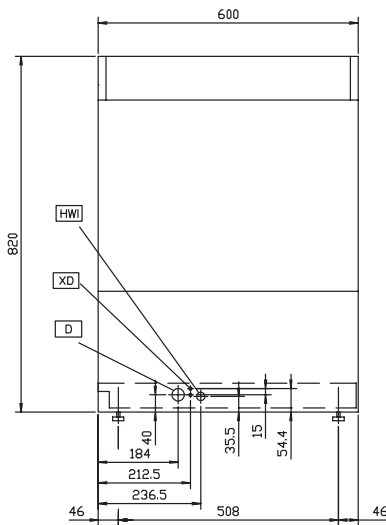
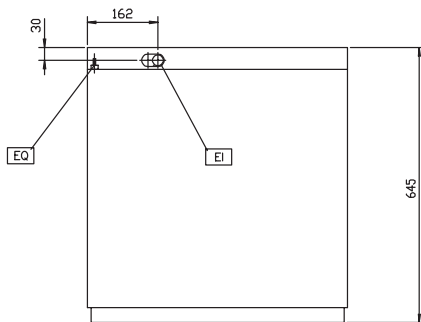
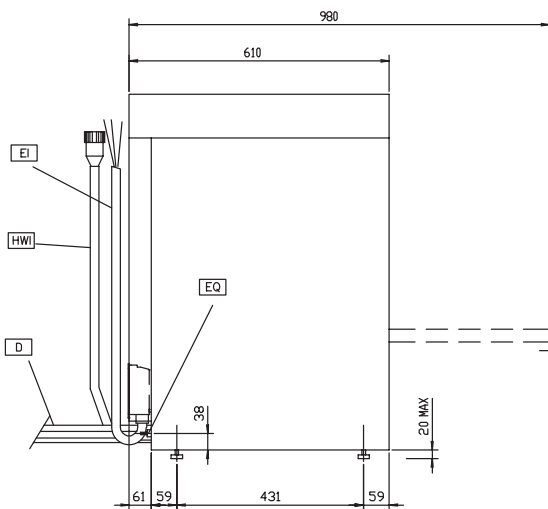
- External detergent level probe kit  PNC 864004
- External rinse aid level probe kit  PNC 864005
- Drain pump kit for 50Hz dishwashers  PNC 864012
- Stainless steel inlet hose kit  PNC 864016
- Filter for partial demineralization  PNC 864017
- Kit to measure total and partial water hardness  PNC 864050
- Rinse booster pump kit for single tank pressure dishwasher  PNC 864051
- Detergent dosing kit  PNC 864218
- Stainless steel tank filter for single skin undercounter  PNC 864222
- Yellow cutlery container  PNC 864242
- AISI 304 stainless steel back panel for undercounters EUC  PNC 864246
- Filter for total demineralization  PNC 864367
- Pressure reducer for single tank dishwasher  PNC 864461
- Half size basket universal  PNC 864527
- Half size basket for plates  PNC 864528
- Half size basket for glasses  PNC 864529
- Kit 4 plastic boxes for cutlery - yellow  PNC 865574
- Basket for 18 dinner plates - yellow  PNC 867002
- Basket for 48 small cups or 24 cups - blue  PNC 867007
- Cover rack for small and light items (500x500 baskets)  PNC 867016
- Basket for 16 vertical glasses (h 70 mm - diam 100 mm) - blue  PNC 867023



Warewashing  
Undercounter Dishwasher with Pressure Boiler - 3 phase

The company reserves the right to make modifications to the products without prior notice. All information correct at time of printing.

2016.10.19

**Front**

**Top**

**Side**


- |                            |                           |
|----------------------------|---------------------------|
| D = Drain                  | XD = Detergent connection |
| EI = Electrical connection | XR = Rinse aid connection |
| EO = Electrical Outlet     |                           |
| HWI = Hot water inlet      |                           |
| V = Air vents              |                           |
| WI = Water inlet           |                           |

### Electric

<b>Supply voltage:</b>	
400144 (NUC3)	400 V/3N ph/50 Hz
<b>Convertible to:</b>	230V 3~; 230V 1N~
<b>Total Watts:</b>	5.35 kW
<b>Boiler heating elements:</b>	4.5 kW
<b>Tank heating elements:</b>	2 kW
<b>Wash pump size:</b>	0.736 kW

### Water:

<b>Pressure, bar min/max:</b>	2-3 bar
<b>Water supply temperature:</b>	50 °C
<b>Inlet Water supply pressure:</b>	29 - 44 psi (2 - 3 bar)
<b>Water consumption per cycle (lt):</b>	3.3
<b>Working cycles time (sec.):</b>	120/180
<b>Boiler Capacity (lt):</b>	5.8
<b>Tank Capacity (lt):</b>	33
<b>Drain line size:</b>	40 mm
<b>Incoming water line size:</b>	
<b>Washing cycle temperature:</b>	55-65 °C
<b>Washing tank capacity (lt):</b>	33
<b>Hot rinse cycle duration (sec.):</b>	16
<b>Hot rinse cycle temperature:</b>	80-90 °C
<b>Hot rinse cycle water consumption (lt):</b>	3.3

### Key Information:

<b>Baskets per hour:</b>	30
<b>Dishes per hour:</b>	540
<b>Wash temperature (MIN):</b>	55-65°C
<b>Rinse temperature (MIN):</b>	80-90 °C
<b>External dimensions, Height:</b>	820 mm
<b>External dimensions, Width:</b>	600 mm
<b>External dimensions, Depth:</b>	610 mm
<b>Packaging size (WxDxH):</b>	600x610x820 mm
<b>Noise level:</b>	<70 dBA
<b>N° of working cycles - sec.:</b>	2 (120/180)
<b>Cell dimensions - width:</b>	500 mm
<b>Cell dimensions - depth:</b>	500 mm
<b>Cell dimensions - height:</b>	330 mm

**Included Accessories**

- 1 of Yellow cutlery container PNC 864242
- 1 of Basket for 18 dinner plates - yellow PNC 867002

**Optional Accessories**

- 12lt external manual water softener PNC 860412
- 8lt external automatic water softener PNC 860413
- Stand for undercounter dishwasher PNC 860418
- 20lt external manual water softener PNC 860430
- Integrated HACCP kit PNC 864001
- HACCP printer kit PNC 864002
- External detergent level probe kit PNC 864004
- External rinse aid level probe kit PNC 864005
- Drain pump kit for 50Hz dishwashers PNC 864012
- Stainless steel inlet hose kit PNC 864016
- Filter for partial demineralization PNC 864017
- Kit to measure total and partial water hardness PNC 864050
- Rinse booster pump kit for single tank pressure dishwasher PNC 864051
- Detergent dosing kit PNC 864218
- Stainless steel tank filter for single skin undercounter PNC 864222
- Yellow cutlery container PNC 864242
- AISI 304 stainless steel back panel for undercounters EUC PNC 864246
- Filter for total demineralization PNC 864367
- Pressure reducer for single tank dishwasher PNC 864461
- Half size basket universal PNC 864527
- Half size basket for plates PNC 864528
- Half size basket for glasses PNC 864529
- Kit 4 plastic boxes for cutlery - yellow PNC 865574
- Basket for 18 dinner plates - yellow PNC 867002
- Basket for 48 small cups or 24 cups - blue PNC 867007
- Cover rack for small and light items (500x500 baskets) PNC 867016

- Basket for 16 vertical glasses (h 70 mm - PNC 867023 diam 100 mm) - blue